

## Modular Cooking Range Line 700XP Electric Induction Wok HP

ITEM # \_\_\_\_\_

MODEL # \_\_\_\_\_

NAME # \_\_\_\_\_

SIS # \_\_\_\_\_

AIA # \_\_\_\_\_


**371282 (E71NEDW00P)**

 Electric single Induction Wok  
(5 kW)

### Short Form Specification

#### Item No.

6 mm thick glass ceramic Wok bowl with 5 kW surface power. Exterior panels in stainless steel with Scotch Brite finish. One piece pressed work top in 1.5 mm thick stainless steel. Right-angled side edges to allow flush-fitting junction between units.

### Main Features

- 6mm glass-ceramic cooking surface with a total power of 5 kW.
- Indicating lamp for operating zone located on control console.
- Induction plate endowed with overheating safety device.
- Power to the zone can be set with progressive output i.e. fine regulation at the lower levels and larger progress at the upper levels.
- Low heat dissipation to the kitchen.
- The smooth, glass ceramic plate is not directly heated, so there is no burning on cooking surface.
- Automatic pan detection to transfer power only when pan is present.
- IPx4 water protection.
- Pots diameter to be used : min 12cm, max 28 cm in order to obtain maximum heating efficiency.
- Suitable for countertop installation.

### Construction

- All exterior panels in Stainless Steel with Scotch Brite finishing.
- One piece pressed 1.5 mm work top in Stainless steel.
- Model has right-angled side edges to allow flush fitting joints between units, eliminating gaps and possible dirt traps.

### Sustainability



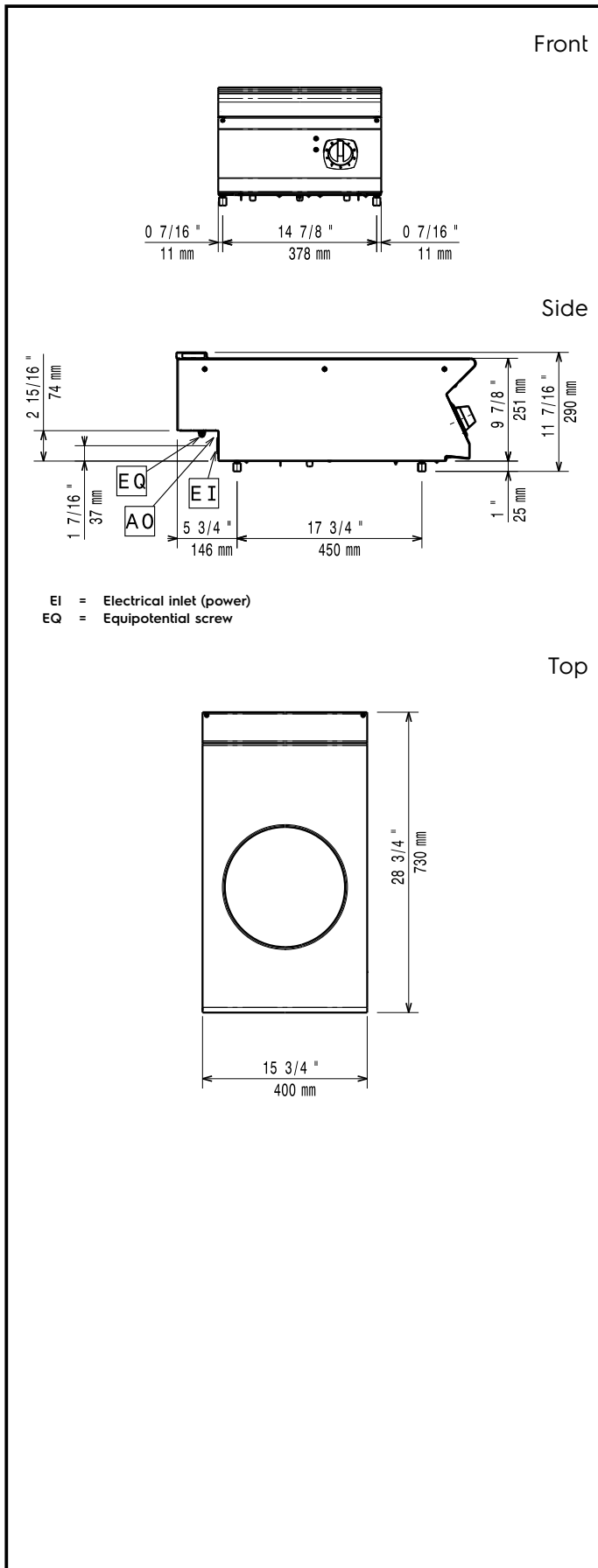
- This model is compliant with Swiss Energy Efficiency Ordinance (730.02).

### Optional Accessories

- Support for bridge type installation, 800mm PNC 206137
- Support for bridge type installation, 1000mm PNC 206138
- Support for bridge type installation, 1200mm PNC 206139
- Support for bridge type installation, 1400mm PNC 206140
- Support for bridge type installation, 1600mm PNC 206141
- Support for bridge type installation, 400mm PNC 206154
- Water column extension for 700 line PNC 206291
- Chimney upstand, 400mm PNC 206303
- Scraper for free standing grills PNC 206422
- 2 side covering panels for top appliances PNC 216277
- Induction Wok pan with wooden handle (diam. 360mm) PNC 910613

APPROVAL: \_\_\_\_\_

- Stainless steel wok pan, design in line with wok cuvette PNC 911000
- Non-stick wok pan, design in line with wok cuvette PNC 911003
- Inducton Wok pan with stainless steel handle (diam. 360mm) PNC 911587
- Stainless steel lid for Wok pan diam. 360mm PNC 911588



## Electric

<b>Supply voltage:</b>	
371282 (E7INEDW00P)	380-400 V/3 ph/50/60 Hz
<b>Total Watts:</b>	5 kW
	380-400V 3- 50/60Hz
<b>Predisposed for:</b>	4.5-5kW

## Key Information:

<b>Back Plates Power:</b>	5 - kW
<b>Back Plates dimensions:</b>	Ø 300
<b>External dimensions, Width:</b>	400 mm
<b>External dimensions, Depth:</b>	730 mm
<b>External dimensions, Height:</b>	250 mm
<b>Net weight:</b>	20 kg
<b>Shipping weight:</b>	28 kg
<b>Shipping height:</b>	540 mm
<b>Shipping width:</b>	460 mm
<b>Shipping depth:</b>	820 mm
<b>Shipping volume:</b>	0.2 m <sup>3</sup>

If appliance is set up or next to or against temperature sensitive furniture or similar, a safety gap of approximately 150 mm should be maintained or some form of heat insulation fitted.

Induction compatible pots & pans must be used.

**Certification group:** N7CIN